

1	CABINET	1	680 x 680 x 1500 x 1.6t
2	TURBO BLOWER	1	1.5kw x 25CMM x 230mmAq
3	HEPA FILTER	1	610 x 610 x 150t
4	CFM FILTER	1	610 x 610 x 150t
5	PRE FILTER	1	610 x 610 x 20t
6	OUTLET FLANGE	1	φ200
7	LIFT LUG	4	I-NUT M12
8	CONTROL PANEL	1	CONTROL SWITCH
9	POWER CABLE	1	V.C.T.F CABLE
10	INLET FLANGE	1	φ150
11	DUST BOX	1	19.8 LITER
12	CASTER	4	ROTATION 3" STOPPER

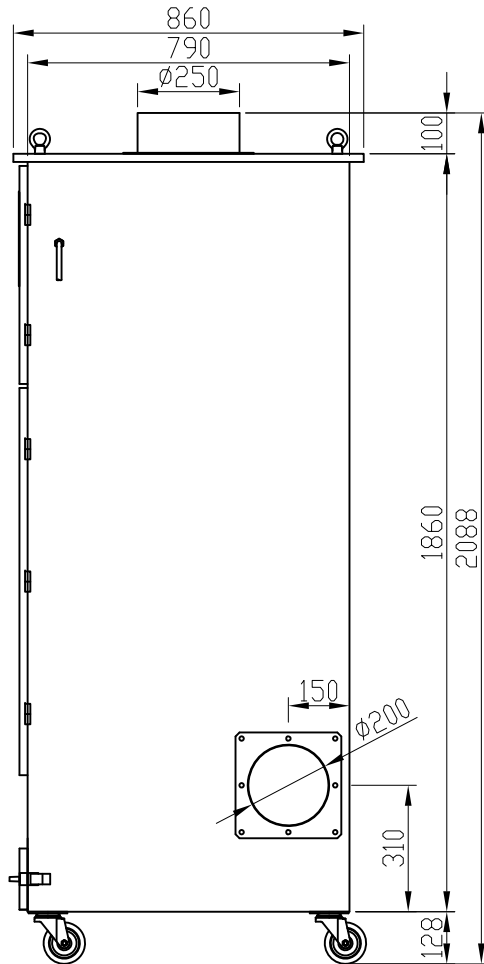
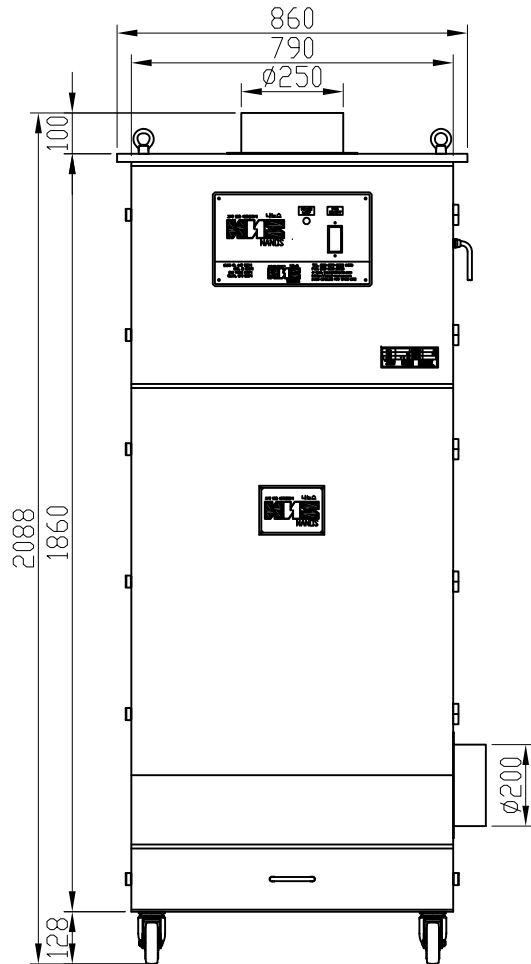
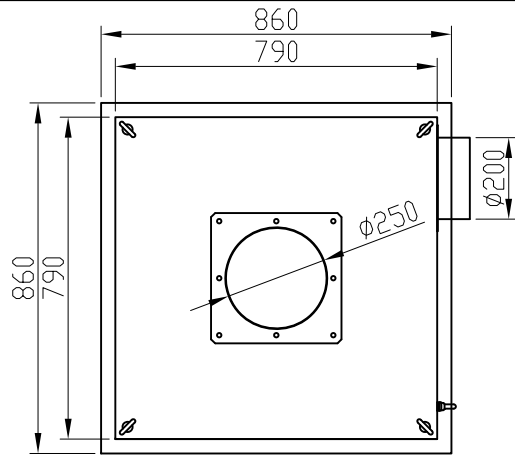
*** CHECK POINTS ***

A. ---

SPECIFICATION			
MODEL NAME	NM-20	OPTION	-
FAN SPEC.			
FAN DIVISION	TURBO BLOWER		
AIR VOLUME	25 CMM	STATIC	230 mmAq
MOTOR	1.5 kw [2 HP]	POWER	380V x 3P
FILTER SPEC.			
1ST	PRE FILTER	MATERIAL	POLYESTER
	SIZE 610 x 610 x 20t	AREA	-
2TH	CFM FILTER	MATERIAL	GLASS
	SIZE 610 x 610 x 150t	AREA	-
3TH	HEPA FILTER	MATERIAL	GLASS
	SIZE 610 x 610 x 150t	AREA	-

*** PAINT COLOR ***
 BODY : EX8816(S) 5Y 7/1
 DOOR : EX8816-DIC546 1/2

 고객맞춤 대표 장비기 www.nanos.co.kr	SIZE	A3	CUSTOMER	-
	SCALE	1 / 1	TITLE	MINUTE DUST COLLECTOR
	DRAWN	APPROVED	NANOS DWG. NO.	NM-20
	DATE	12.10.31		



1	CABINET	1	790 x 790 x 1860 x 1.6t
2	TURBO BLOWER	1	2.2kw x 40CMM x 230mmAq
3	HEPA FILTER	1	610 x 610 x 292t
4	CFM FILTER	1	610 x 610 x 292t
5	PRE FILTER	1	610 x 610 x 20t
6	OUTLET FLANGE	1	φ250
7	LIFT LUG	4	I-NUT M12
8	CONTROL PANEL	1	CONTROL SWITCH
9	POWER CABLE	1	V.C.T.F CABLE
10	INLET FLANGE	1	φ200
11	DUST BOX	1	30.8 LITER
12	CASTER	4	ROTATION 4' STOPPER

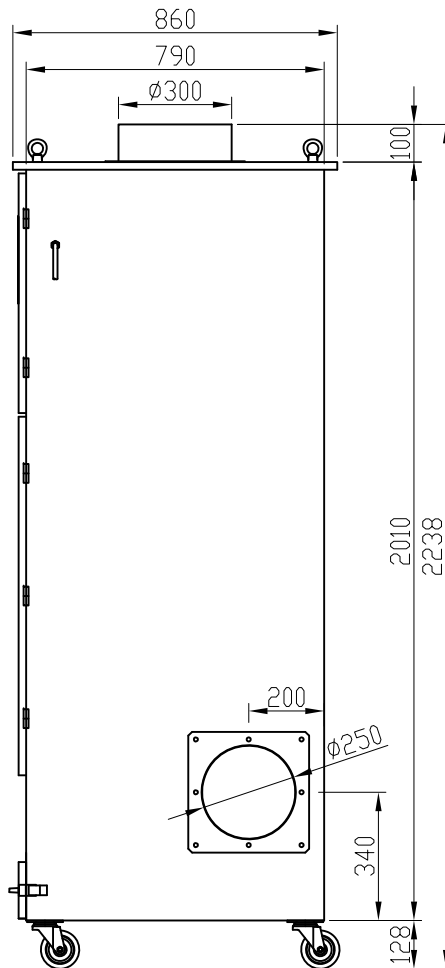
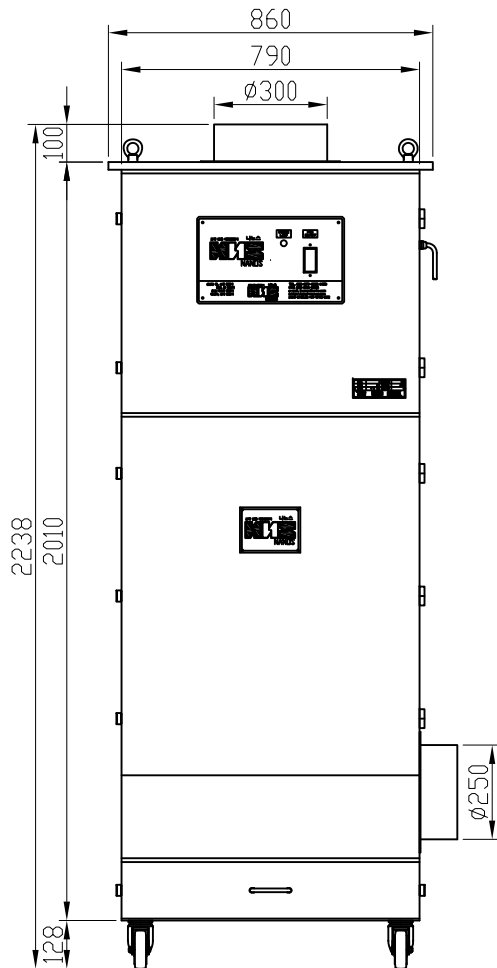
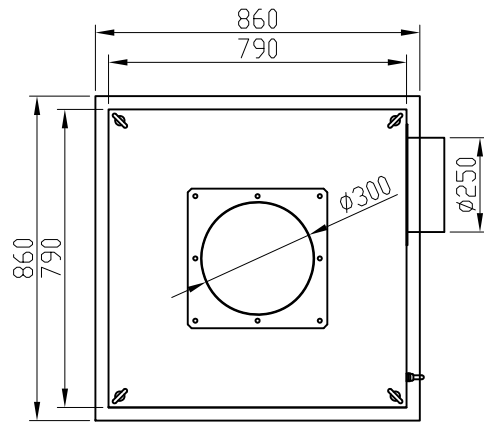
*** CHECK POINTS ***

A. ---

SPECIFICATION			
MODEL NAME	NM-30	OPTION	-
FAN SPEC.			
FAN DIVISION	TURBO BLOWER		
AIR VOLUME	40 CMM	STATIC	230 mmAq
MOTOR	2.2 kw [3 HP]	POWER	380V x 3P
FILTER SPEC.			
1ST	PRE FILTER	MATERIAL	POLYESTER
	SIZE	610 x 610 x 20t	AREA
2TH	CFM FILTER	MATERIAL	GLASS
	SIZE	610 x 610 x 292t	AREA
3TH	HEPA FILTER	MATERIAL	GLASS
	SIZE	610 x 610 x 292t	AREA

*** PAINT COLOR ***
 BODY : EX8816(S) 5Y 7/1
 DOOR : EX8816-DIC546 1/2

 고객맞춤 대표 장비기 www1-nanos.co.kr	SIZE	A3	CUSTOMER	-
	SCALE	1 / 1	TITLE	MINUTE DUST COLLECTOR
	DRAWN	APPROVED	NANOS DWG. NO.	NM-30
	B.B.M	-		
12.10.31	-			



1	CABINET	1	790 x 790 x 2010 x 1.6t
2	TURBO BLOWER	1	3.7kw x 60CMM x 230mmAq
3	HEPA FILTER	1	610 x 610 x 292t
4	CFM FILTER	1	610 x 610 x 292t
5	PRE FILTER	1	610 x 610 x 20t
6	OUTLET FLANGE	1	∅300
7	LIFT LUG	4	I-NUT M12
8	CONTROL PANEL	1	CONTROL SWITCH
9	POWER CABLE	1	V.C.T.F CABLE
10	INLET FLANGE	1	∅250
11	DUST BOX	1	30.8 LITER
12	CASTER	4	ROTATION 4' STOPPER

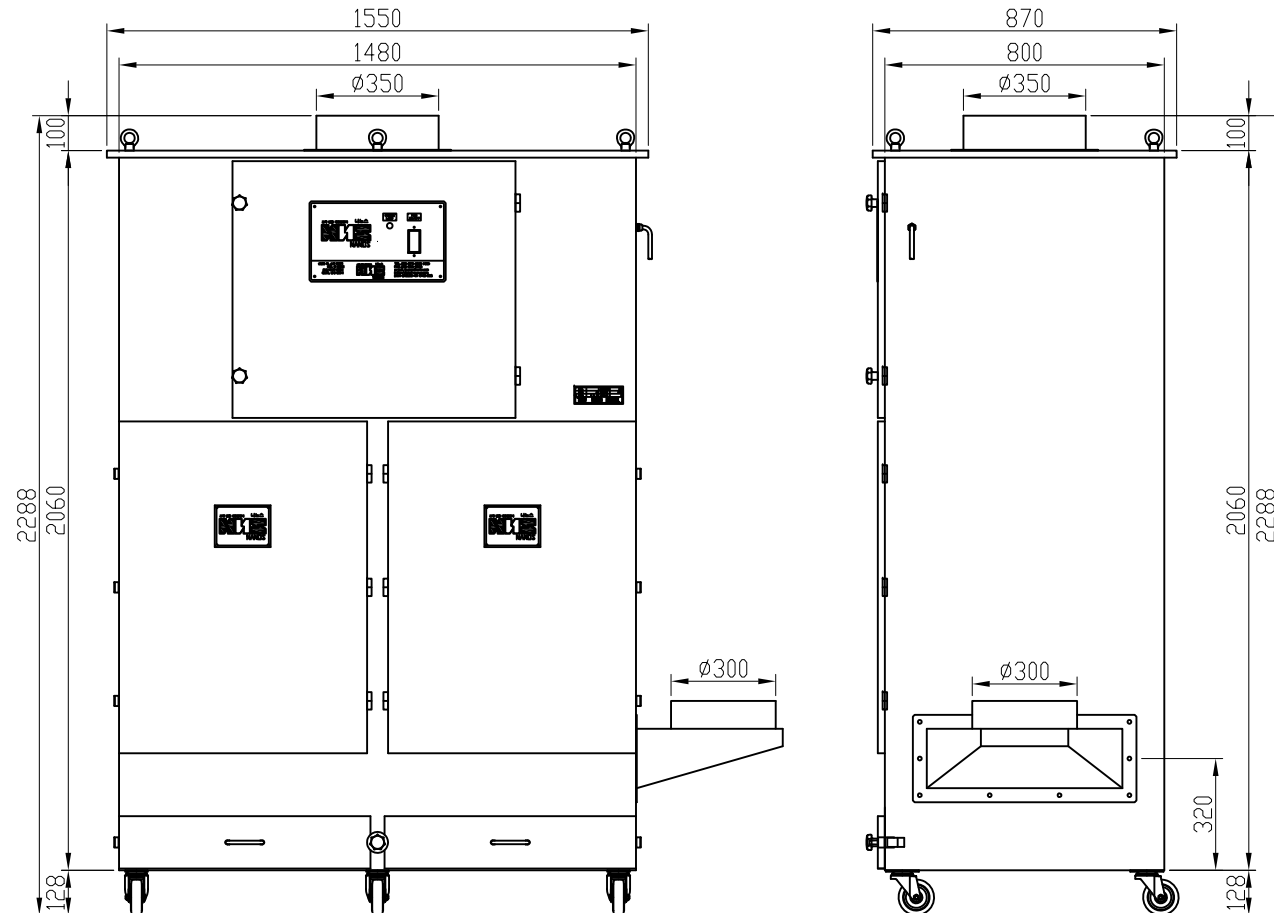
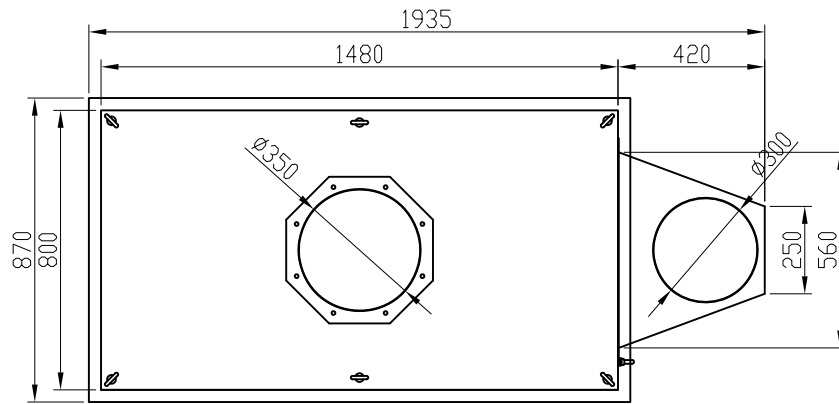
*** CHECK POINTS ***

A. ---

SPECIFICATION			
MODEL NAME	NM-50	OPTION	-
FAN SPEC.			
FAN DIVISION	TURBO BLOWER		
AIR VOLUME	60 CMM	STATIC	230 mmAq
MOTOR	3.7 kw [5 HP]	POWER	380V x 3P
FILTER SPEC.			
1ST	PRE FILTER	MATERIAL	POLYESTER
	SIZE	610 x 610 x 20t	AREA
2TH	CFM FILTER	MATERIAL	GLASS
	SIZE	610 x 610 x 292t	AREA
3TH	HEPA FILTER	MATERIAL	GLASS
	SIZE	610 x 610 x 292t	AREA

*** PAINT COLOR ***
 BODY : EX8816(S) 5Y 7/1
 DOOR : EX8816-DIC546 1/2

 고객맞춤 대표 장비기 www.nanos.co.kr	SIZE	A3	CUSTOMER	-
	SCALE	1 / 1	TITLE	MINUTE DUST COLLECTOR
	DRAWN	APPROVED	NANOS DWG. NO.	NM-50
	DATE	12.10.31		



1	CABINET	1	790 x 790 x 2060 x 1.6t
2	TURBO BLOWER	1	5.5kw x 80CMM x 250mmAq
3	HEPA FILTER	2	610 x 610 x 292t
4	CFM FILTER	2	610 x 610 x 292t
5	PRE FILTER	2	610 x 610 x 20t
6	OUTLET FLANGE	1	ø350
7	LIFT LUG	6	I-NUT M12
8	CONTROL PANEL	1	CONTROL SWITCH
9	POWER CABLE	1	V.C.T.F CABLE
10	INLET FLANGE	1	ø300
11	DUST BOX	2	56.3 LITER
12	CASTER	6	ROTATION 4' STOPPER

*** CHECK POINTS ***

A. ---

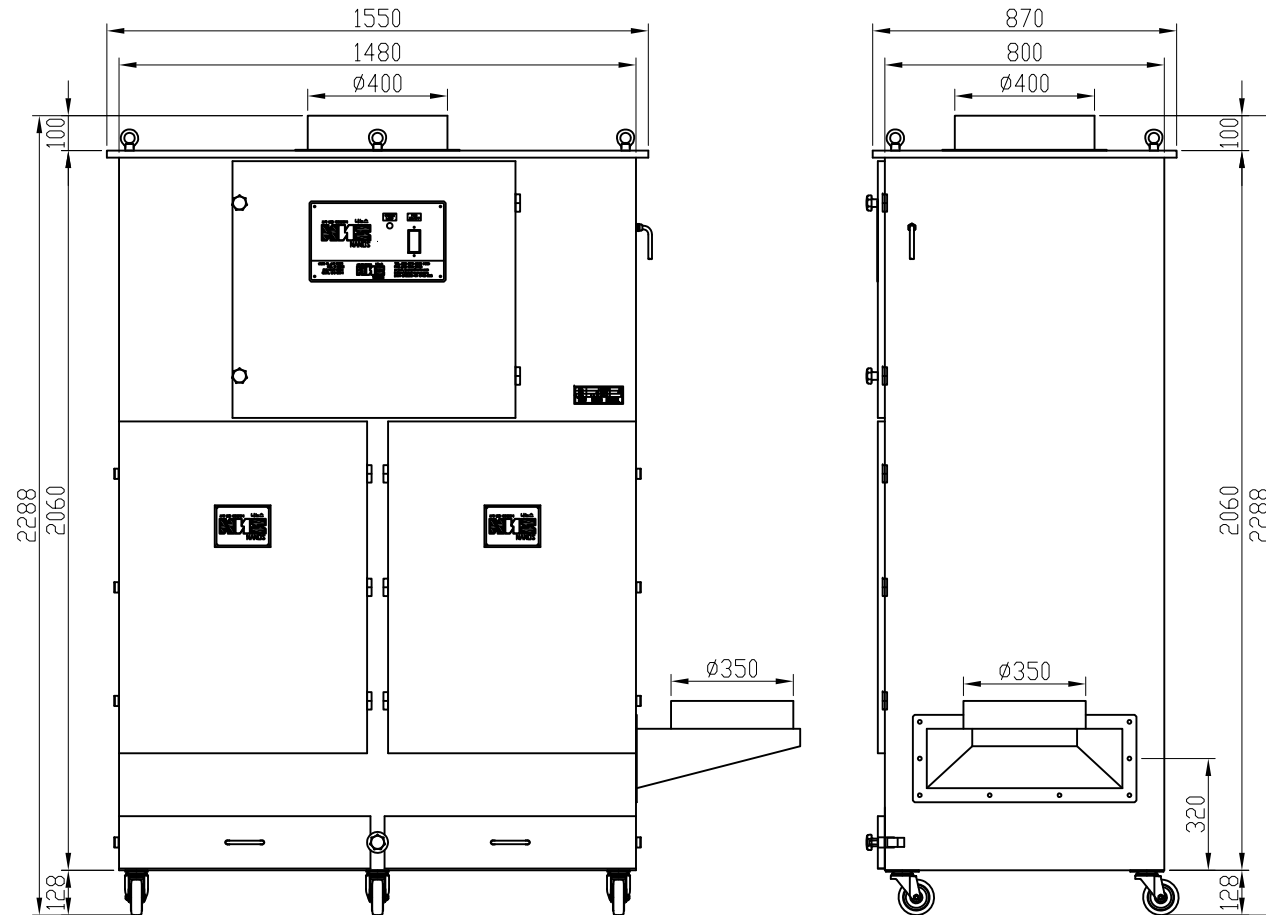
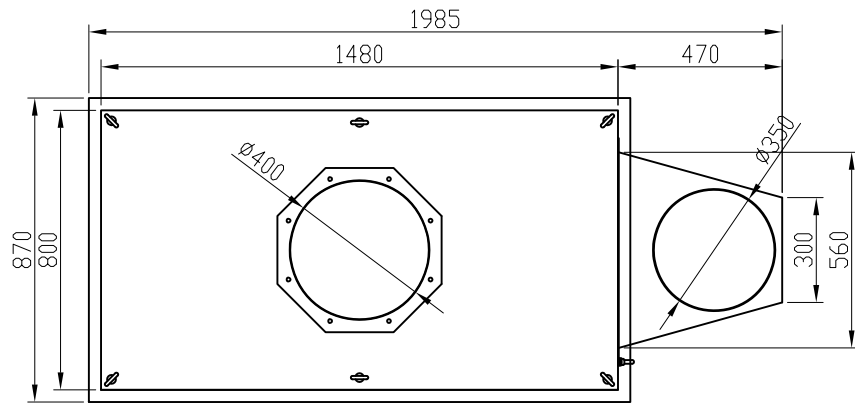
SPECIFICATION				
MODEL NAME	NM-75	OPTION	-	
FAN SPEC.				
FAN DIVISION	TURBO BLOWER			
AIR VOLUME	80 CMM	STATIC	250 mmAq	
MOTOR	5.5 kw [7.5 HP]	POWER	380V x 3P	
FILTER SPEC.				
1ST	PRE FILTER		MATERIAL	POLYESTER
	SIZE	610 x 610 x 20t x 2EA	AREA	-
2TH	CFM FILTER		MATERIAL	GLASS
	SIZE	610 x 610 x 292t x 2EA	AREA	-
3TH	HEPA FILTER		MATERIAL	GLASS
	SIZE	610 x 610 x 292t x 2EA	AREA	-

*** PAINT COLOR ***

BODY : EX8816(S) 5Y 7/1

DOOR : EX8816-DIC546 1/2

 2004년 12월 24일 설립 대표 임원기 전화: 02-3200-3200	SIZE	A3	CUSTOMER	-
	SCALE	1 / 1	TITLE	MINUTE DUST COLLECTOR
	DRAWN	APPROVED	NANOS DWG. NO.	NM-75



1	CABINET	1	790 x 790 x 2060 x 1.6t
2	TURBO BLOWER	1	5.5kw x 80CMM x 250mmAq
3	HEPA FILTER	2	610 x 610 x 292t
4	CFM FILTER	2	610 x 610 x 292t
5	PRE FILTER	2	610 x 610 x 20t
6	OUTLET FLANGE	1	∅400
7	LIFT LUG	6	I-NUT M12
8	CONTROL PANEL	1	CONTROL SWITCH
9	POWER CABLE	1	V.C.T.F CABLE
10	INLET FLANGE	1	∅350
11	DUST BOX	2	56.3 LITER
12	CASTER	6	ROTATION 4' STOPPER

*** CHECK POINTS ***

A. ---

SPECIFICATION			
MODEL NAME	NM-100	OPTION	-
FAN SPEC.			
FAN DIVISION	TURBO BLOWER		
AIR VOLUME	100 CMM	STATIC	250 mmAq
MOTOR	7.5 kw [10 HP]	POWER	380V x 3P
FILTER SPEC.			
1ST	PRE FILTER	MATERIAL	POLYESTER
	SIZE	610 x 610 x 20t x 2EA	AREA
2TH	CFM FILTER	MATERIAL	GLASS
	SIZE	610 x 610 x 292t x 2EA	AREA
3TH	HEPA FILTER	MATERIAL	GLASS
	SIZE	610 x 610 x 292t x 2EA	AREA

*** PAINT COLOR ***

BODY : EX8816(S) 5Y 7/1

DOOR : EX8816-DIC546 1/2

 고객맞춤 대표 장비기 www.nanos.co.kr	SIZE	A3	CUSTOMER	-
	SCALE	1 / 1	TITLE	MINUTE DUST COLLECTOR
	DRAWN	APPROVED	NANOS DWG. NO.	NM-100
	B.B.M	-		
12.10.31	-			